

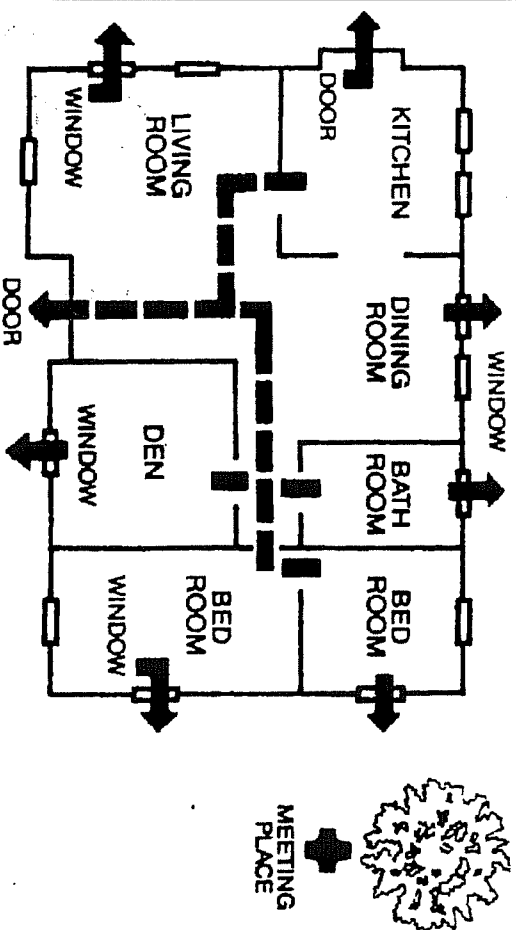
Get Out Alive! A Fire Escape Planner

This is your fire escape planner. If a fire starts, smoke and heat can kill you unless you plan in advance to escape quickly. You may have only several minutes to reach safety. Everyone needs to know how to get out so they can act quickly and without panic.

Your fire safety plan requires:

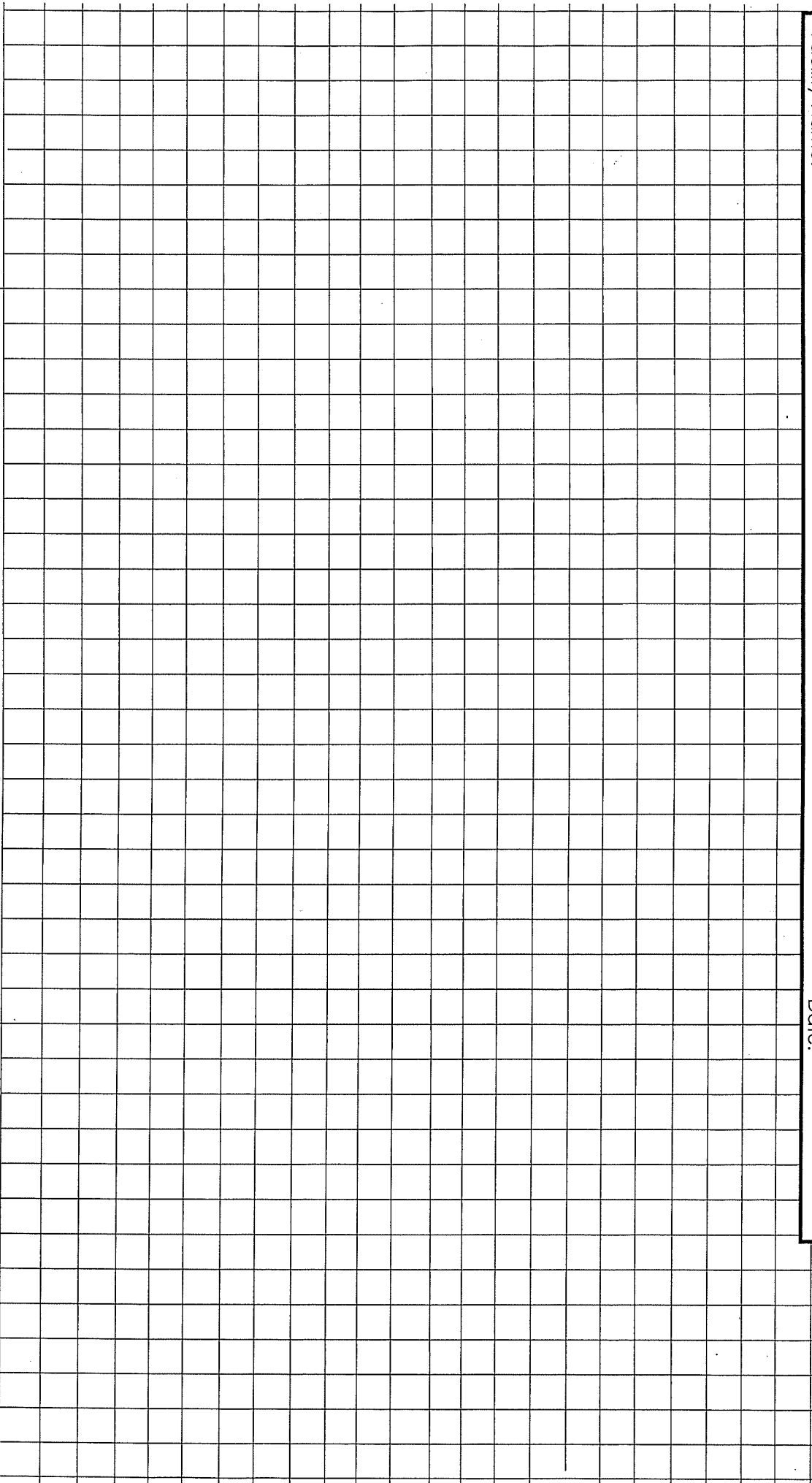
- Smoke detector on each level of your home.
- Fire extinguisher on each level of your home.
- Escape routes marked on a floor plan
- Specified meeting place outside your home.
- Plan to evacuate everyone in 150 seconds, including children who can't get out by themselves.
- Practice your escape plan monthly. Practice at different times of the day and using alternate exits.

Sample Escape Plan



Facility Name:

Date:



Floor Plan:

1. Use the grid to draw a floor plan of your whole house. (Drawing does not need to be to scale.)
2. Show two exits from every room.
3. Write down the outside meeting place.

Exit Procedures:

1. Sleep with bedroom doors closed. They will hold back deadly smoke.
2. Teach everyone to recognize the sound of your smoke alarms.
3. Test doors before opening them. If hot, use your alternate escape. If cool, brace your shoulder against the door and open it cautiously. Be ready to slam it if smoke or heat rush in.

4. Crawl low under smoke.
5. If your clothes catch on fire: stop, drop and roll.
6. Get out fast.
7. Choose a specific meeting place so you can see that everyone is out of the house.
8. Don't go back inside once you're out.
9. Call the fire department from a neighbor's house.